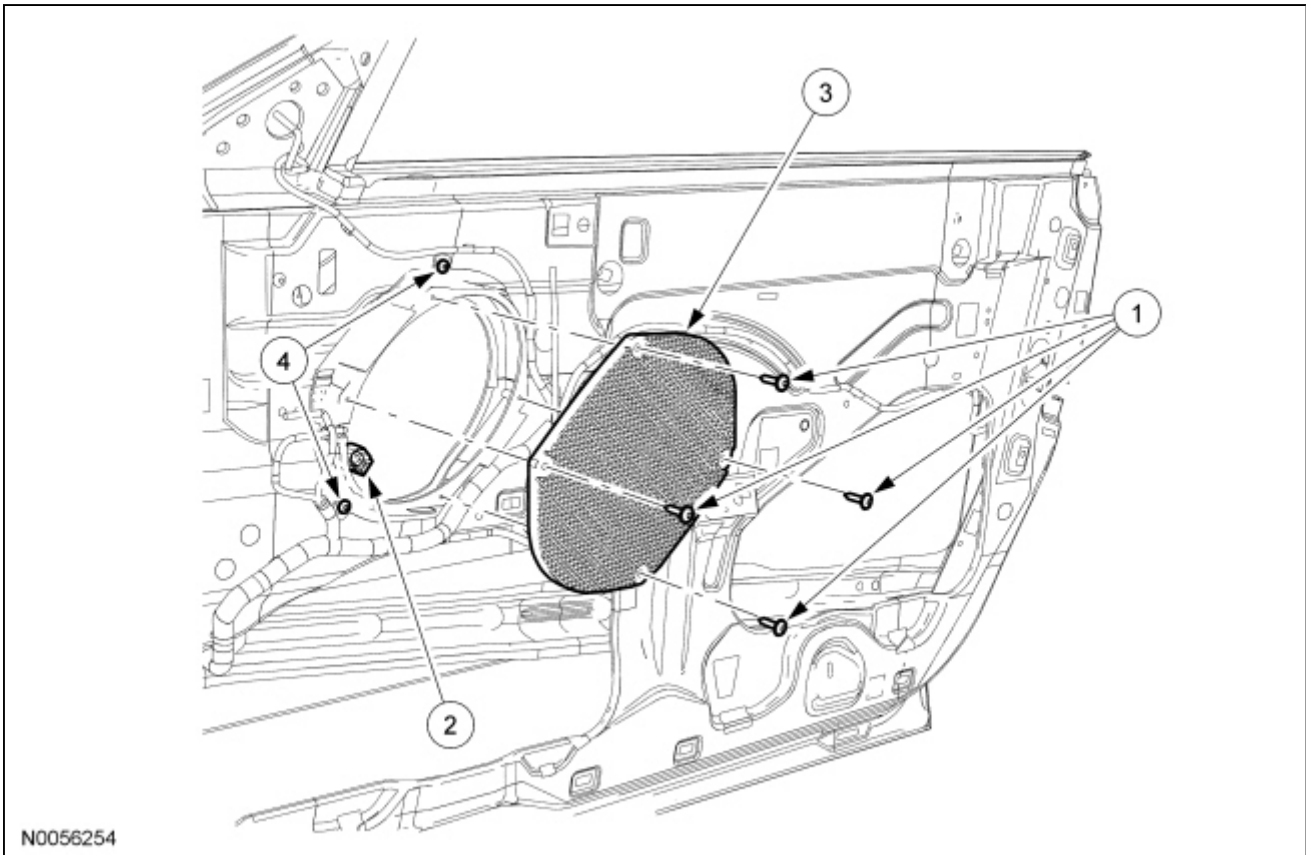


Door Speaker



Item	Part Number	Description
1	W709996	Door speaker screws (4 required)
2	—	Door speaker electrical connector (part of 14630/14631)
3	18808	Door speaker
4	W701930	Door speaker mounting bracket screws (3 required)

Removal and Installation

1. Remove the door trim panel. For additional information, refer to [Section 501-05](#).
2. Remove the 4 screws and the door speaker.
 - Disconnect the electrical connector.
3. To install, reverse the removal procedure.

